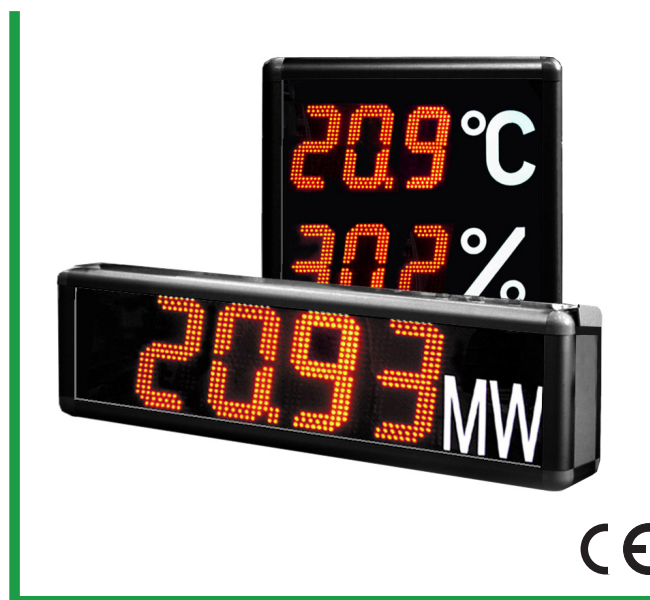


# LARGE SIZE NUMERIC DISPLAYS DN1, DN2, DN3 TYPES



## APPLICATION

Digital displays of DN type can be applied for the visualisation of essential parameters in automation and measurement processes when supervising the quality or working safety.

Information put in a visible place helps in the efficient work in industrial communication, logistics, automation and control technology, and material handling. These displays are destined to be installed in: industrial plants, sports objects, trade buildings and communication areas.

The character height ensures a good visibility and reading from a long distance, up to 120 m.

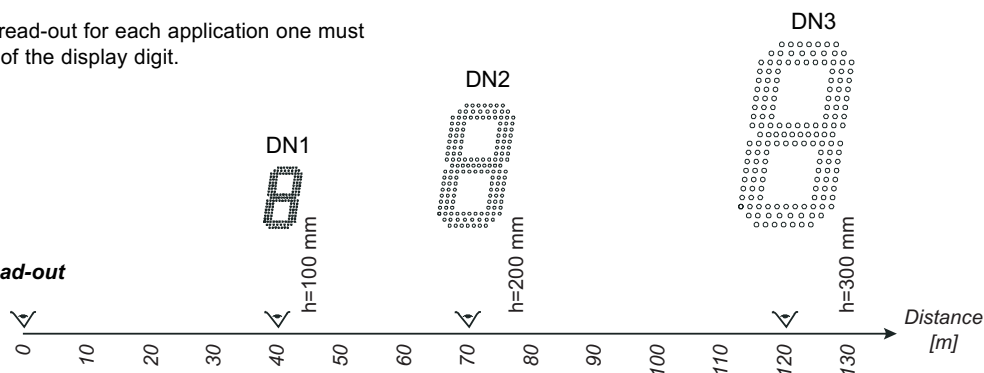
Digit heights: **DN1** - 100 mm; **DN2** - 200 mm; **DN3** - 300 mm.

Digital displays are offered in four colours: red, green, yellow and blue. Basic installations are applied for measurements and indications of: temperature, humidity, time, pressure, flow, rotations, pulses, and also the gas content and material quantity. These DN displays together with an external measuring element or transducer can display any physical quantity and co-operate with external devices equipped with an RS-485 digital output with the MODBUS RTU/ASCII protocol.

## CHOICE OF THE DISPLAY CHARACTER SIZE

In order to ensure the optimal read-out for each application one must choose the appropriate height of the display digit.

**Dependence between the read-out distance and the digit size**



The configuration of transmission parameters and measuring ranges is made agree with the customer.

Each customer obtains a service manual together with the display unit. The standard version includes the digital diode display field and the unit field. The number of characters and the display colour are expressed by the ordering code or defined by the customer.

The display field brightness is established automatically in accordance with external conditions. The unit can be selected from the list inserted in the ordering code or defined by the user.

## TECHNICAL DATA

### Power consumption of the single display module:

DN1	2 W
DN2	5 W
DN3	5 W

### Read-out field:

DN1	100 mm (digit height)
DN2	200 mm
DN3	300 mm

### Communication:

- serial interface	RS-485
- transmission protocol	MODBUS RTU/ASCII

### Reaction against supply decay and recovery:

- preservation of configuration data
- continuation of work after supply recovery

### Environmental and rated operating conditions:

- ambient temperature	-20...23...55°C
- storage temperature	-20... 80°C
- humidity	20... 80%
- supply	195... 253 V
- external magnetic field	0...40...400 A/m.
- working position	any
- preheating time	1 min

### Standards fulfilled by the display:

Electromagnetic compatibility:	
- immunity	acc. EN-50082-2
- emission	acc. EN-50081-2

### Safety requirements:

acc. IEC 61010-1+A1 standard:	
- insulation ensured through the housing	double
- insulation between circuits	basic
- installation category	III
- pollution degree	2
- maximal phase-to-earth working voltage	600 V a.c.

### Protection grade ensured by the housing

IP 54

### Weight

depending on version

**Table 1**

Code nr	Kind of display	number of digits	Display overall dimensions [mm]			Assembly dimensions [mm]		
			DN1	DN2	DN3	DN1	DN2	DN3
1		2 digits	a = 415 b = 77 h = 160	a = 560 b = 77 h = 264	a = 820 b = 100 h = 370	c = 220 d = 50 L = 250	c = 320 d = 75 L = 350	c = 450 d = 80 L = 450
2		3 digits	a = 415 b = 77 h = 160	a = 560 b = 77 h = 264	a = 820 b = 100 h = 370	c = 220 d = 50 L = 250	c = 320 d = 75 L = 350	c = 450 d = 80 L = 450
3		4 digits	a = 593 b = 77 h = 160	a = 810 b = 77 h = 264	a = 1200 b = 100 h = 370	c = 320 d = 50 L = 420	c = 430 d = 75 L = 480	c = 850 d = 80 L = 710
4		5 digits	a = 593 b = 77 h = 160	a = 810 b = 77 h = 264	a = 1200 b = 100 h = 370	c = 320 d = 50 L = 420	c = 430 d = 75 L = 480	c = 850 d = 80 L = 710
5		2x 2 digits	a = 593 b = 77 h = 160	a = 810 b = 77 h = 264	a = 1200 b = 100 h = 370	c = 320 d = 50 L = 420	c = 430 d = 75 L = 480	c = 850 d = 80 L = 710
6		clock	a = 593 b = 77 h = 160	a = 810 b = 77 h = 264	a = 1200 b = 100 h = 370	c = 320 d = 50 L = 420	c = 430 d = 75 L = 480	c = 850 d = 80 L = 710
7		2x 3 digits 2 rows	a = 415 b = 77 h = 270	a = 560 b = 77 h = 478	a = 820 b = 100 h = 680	c = 220 d = 50 L = 250	c = 320 d = 75 L = 350	c = 450 d = 80 L = 450
8*	 <b>Note:</b> Alternate display every 10 sec. Clock synchronized by DCF signal.	clock + temperature			A = 1200 B = 100 H = 370			C = 850 D = 80 L = 450

\* Concerns DN3

**Kind of displays and display overall dimensions**
**Table 2**

Unit	Code	Unit	Code	Unit	Code	Unit	Code
lack	00	Hz	17	s	34	CO	51
mV	01	kHz	18	min	35	CO <sub>2</sub>	52
V	02	MHz	19	h	36	l	53
kV	03	%	20	mm	37	l/min	54
mA	04	°C	21	cm	38	l/h	55
A	05	°F	22	m	39	mg	56
kA	06	K	23	m <sup>3</sup>	40	kg	57
kW	07	% H <sub>2</sub> O	24	m/s	41	Mg	58
MW	08	mbar	25	m/h	42	k/h	59
var	09	Bar	26	km/h	43	Mg/h	60
kvar	10	mmH <sub>2</sub> O	27	m <sup>3</sup> /h	44	N	61
Mvar	11	mmHg	28	revolutions	45	kN	62
kWh	12	Pa	29	r.p.m.	46	mg/l	63
Ω	13	hPa	30	rad	47		
kΩ	14	kPa	31	pieces	48		
μS	15	MPa	32	pcs/h	49		
mS	16	pH	33	O <sub>2</sub>	50		

**Table 3**

Displayed quantities	Code number
Without measuring quantity	0
Temperature measurement *Measuring range	1
Humidity measurement *Measuring range	2
Temperature and humidity measurement *Measuring ranges	3
Pressure measurement *Measuring range	4
Measurement of the real time *Measuring range	5
Measurement of pulses, revolutions, working time *Measuring ranges	6
Measurement of power network parameters *Measuring ranges	7
Measurement of current and voltage standard signals *Measuring ranges	8

\* **NOTE:** When ordering, one must contact the Export Dept in order to establish the display way, the choice of devices and measuring ranges displayed on the display.

## ORDERING CODES

DIGITAL DISPLAY DN	X	X	X	X	X	XX	XX	X	XX	X
<b>Digit height:</b>										
100 mm .....	1									
200 mm .....	2									
300 mm .....	3									
<b>Kind of display:</b>										
code acc. table 1 (exec. 8 concerns DN3) .....	X									
on order * .....	9									
<b>Digit colour of the first display field:</b>										
red .....	R									
yellow .....	Y									
green .....	G									
blue*** (concerns exec. 1..4 and 6 acc table 1) .....	B									
<b>Digit colour of the second display field:</b>										
lack of second field .....	0									
red .....	R									
yellow .....	Y									
green .....	G									
blue .....	B									
<b>Way of fixing:</b>										
on the wall .....	1									
suspended .....	2									
on order * .....	9									
<b>Unit of the first display field:</b>										
code number of the unit acc. table 2 .....	XX									
on order * .....	99									
<b>Unit of the second display field:</b>										
code number of the unit acc. table 2 .....	XX									
on order * .....	99									
<b>Quantity displayed and measuring device:</b>										
acc. table 3 .....	X									
on order * .....	9									
<b>Version:</b>										
standard .....	00									
custom-made** .....	XX									
<b>Acceptance tests:</b>										
without a quality certificate .....	0									
with a quality certificate .....	1									
acc. customer's agreement ** .....	X									

\* After manufacturer's agreement

\*\* The code number will be established by the manufacturer

\*\*\* Concerns DN1

## EXAMPLE OF ORDER

Code DN 1 7 R Y 1 21 24 3 00 0 means:

DN - Large size numeric digital display

1 - digit height = 100 mm

7 - quantities are displayed in two rows of 3 digits (table 2)

R - colour of the first display field

Y - colour of the second display field

1 - to be fixed on a wall

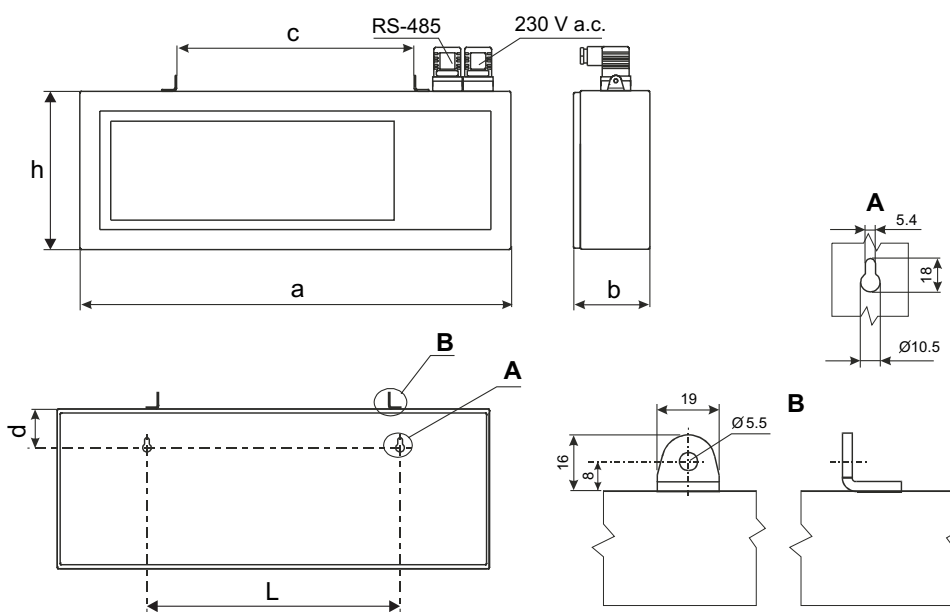
21 - °C unit ( table 2)

24 - % H2O unit (table 2)

3 - with a temperature and humidity transducer (table 3)

00 - standard version

0 - without an extra quality inspection certificate



Display dimensions and layout of holes and fixing grips.

